

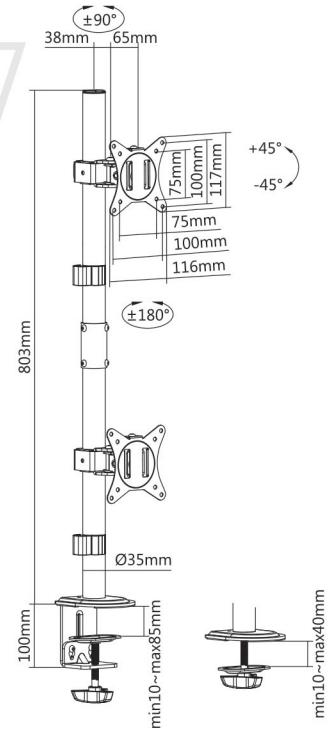
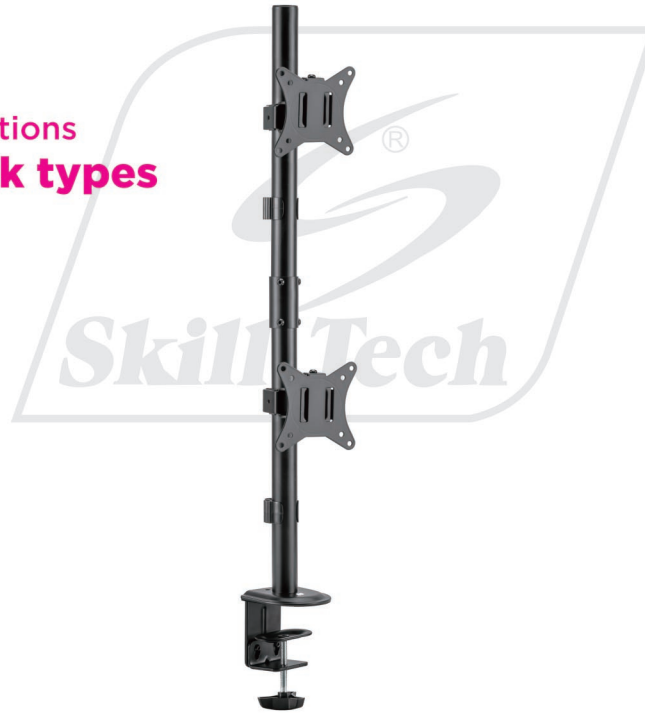
SH120 C02V

Monitor Arm

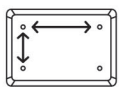
Fits most 17"-32" monitors



Multiple Mounting Options
for different desk types
and user needs



Screen Size
17"-32"



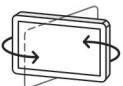
VESA Compatible
75x75 100x100



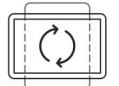
Weight Capacity
9kg/19.8lbs (x2)



Tilt Range
+45° ~ -45°



Swivel Range
+90° ~ -90°



Screen Rotation
360°



Cable
Management



Clamp/Grommet Base
with 2-in-1 design.